

**MOLETTE CILINDRICHE
PER RETTIFICA INTERNI**

Molette elettrodepositate in Diamante e CBN. Stelo in acciaio.

1A1W

**CYLINDRICAL WHEELS
FOR INTERNAL GRINDING**

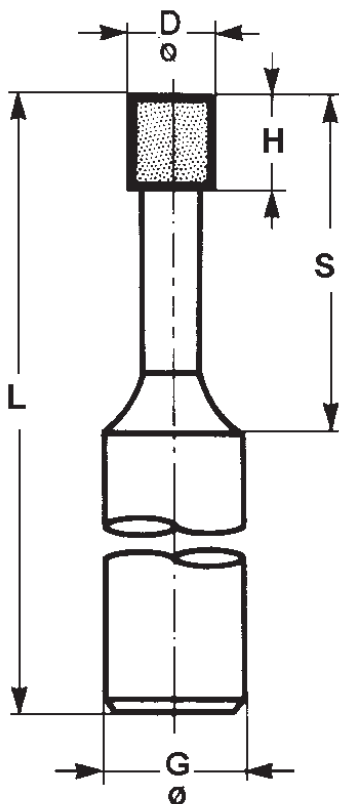
Electroplated Diamond & CBN. Steel shank.

FORMA A - A SHAPE



gambo ø 3 mm - Ø 3 mm shank

DIMENSIONI / DIMENSIONS*				DIAMANTE / DIAMOND			CBN (Borazon®)		
Ø D	H	S	L	D126	D76	STOCK	B126	B76	STOCK
mm									
1	3	10	40	1A1W-ED001	1A1W-ED002	★	1A1W-EB003	1A1W-EB003S	★
1,25	3,5	12	40	1A1W-ED004	1A1W-ED005	★	1A1W-EB006	1A1W-EB006S	★
1,5	3,5	12	40	1A1W-ED007	1A1W-ED008	★	1A1W-EB009	1A1W-EB009S	★
1,75	3,5	12	40	1A1W-ED010	1A1W-ED011	★	1A1W-EB012	1A1W-EB012S	★
2	4	12	40	1A1W-ED013	1A1W-ED014	★	1A1W-EB015	1A1W-EB015S	★
2,5	4	16	40	1A1W-ED019	1A1W-ED020	★	1A1W-EB021	1A1W-EB021S	★
3	5	20	50	1A1W-ED025	1A1W-ED026	★	1A1W-EB027	1A1W-EB027S	★



gambo ø 6 mm - Ø 6 mm shank

DIMENSIONI / DIMENSIONS*				DIAMANTE / DIAMOND			CBN (Borazon®)		
Ø D	H	S	L	D126	D76	STOCK	B126	B76	STOCK
mm									
3	4,5	20	60	1A1W-ED061	1A1W-ED062	★	1A1W-EB063	1A1W-EB063S	★
3,5	4,5	20	60	1A1W-ED064	1A1W-ED055	★	1A1W-EB066	1A1W-EB066S	★
4	5,5	30	80	1A1W-ED067	1A1W-ED068	★	1A1W-EB069	1A1W-EB069S	★
4,5	5,5	30	80	1A1W-ED450	1A1W-ED451	★	1A1W-EB450	1A1W-EB450S	★
5	6	30	80	1A1W-ED070	1A1W-ED071	★	1A1W-EB072	1A1W-EB072S	★
6	6,5	30	80	1A1W-ED073	1A1W-ED074	★	1A1W-EB075	1A1W-EB075S	★

*N.B. Alcune dimensioni possono variare leggermente senza preavviso / Some dimensions can be varied without notice.

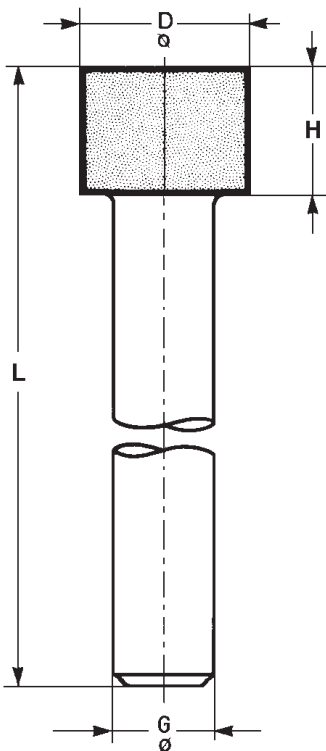
Altre misure e/o grane o concentrazioni su richiesta. / Others measures and/or grits or concentrations on request.

FORMA B - B SHAPE



gambo \varnothing 3 mm - \varnothing 3 mm shank

DIMENSIONI / DIMENSIONS*				DIAMANTE / DIAMOND			CBN (Borazon®)		
\varnothing D	H	S	L	D126	D76	STOCK	B126	B76	STOCK
mm									
3,5	5	--	50	1A1W-ED101	1A1W-ED102	★	1A1W-EB103	1A1W-EB103S	★
4	5	--	50	1A1W-ED104	1A1W-ED105	★	1A1W-EB106	1A1W-EB106S	★
4,5	5	--	50	1A1W-ED107	1A1W-ED108	★	1A1W-EB109	1A1W-EB109S	★
5	5	--	50	1A1W-ED110	1A1W-ED111	★	1A1W-EB112	1A1W-EB112S	★
6	5	--	50	1A1W-ED116	1A1W-ED117	★	1A1W-EB118	1A1W-EB118S	★



gambo \varnothing 6 mm - \varnothing 6 mm shank

DIMENSIONI / DIMENSIONS*				DIAMANTE / DIAMOND			CBN (Borazon®)		
\varnothing D	H	S	L	D126	D76	STOCK	B126	B76	STOCK
mm									
7	7	--	80	1A1W-ED122	1A1W-ED123	★	1A1W-EB124	1A1W-EB124S	★
8	8	--	80	1A1W-ED125	1A1W-ED126	★	1A1W-EB127	1A1W-EB127S	★
9	9	--	80	1A1W-ED128	1A1W-ED129	★	1A1W-EB130	1A1W-EB130S	★
10	10	--	80	1A1W-ED131	1A1W-ED132	★	1A1W-EB133	1A1W-EB133S	★
11	10	--	80	1A1W-ED134	1A1W-ED135	★	1A1W-EB136	1A1W-EB136S	★
12	10	--	80	1A1W-ED137	1A1W-ED138	★	1A1W-EB139	1A1W-EB139S	★
13	10	--	80	1A1W-ED140	1A1W-ED141	★	1A1W-EB142	1A1W-EB142S	★
14	10	--	80	1A1W-ED143	1A1W-ED144	★	1A1W-EB145	1A1W-EB145S	★
15	10	--	80	1A1W-ED146	1A1W-ED147	★	1A1W-EB148	1A1W-EB148S	★
16	10	--	80	1A1W-ED149	1A1W-ED150	★	1A1W-EB151	1A1W-EB151S	★

*N.B. Alcune dimensioni possono variare leggermente senza preavviso / Some dimensions can be varied without notice.

Altre misure e/o grane o concentrazioni su richiesta. / Others measures and/or grits or concentrations on request.

MOLETTE CILINDRICHE PER RETTIFICA INTERNI CON STELO IN METALLO DURO

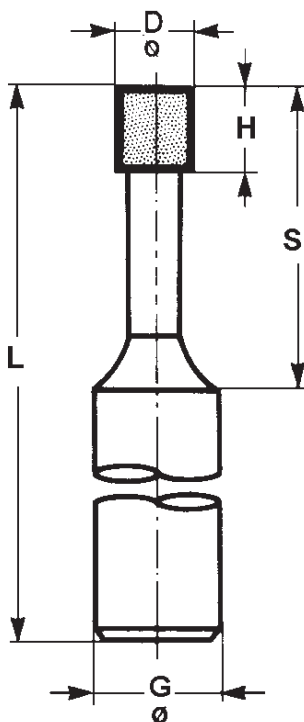
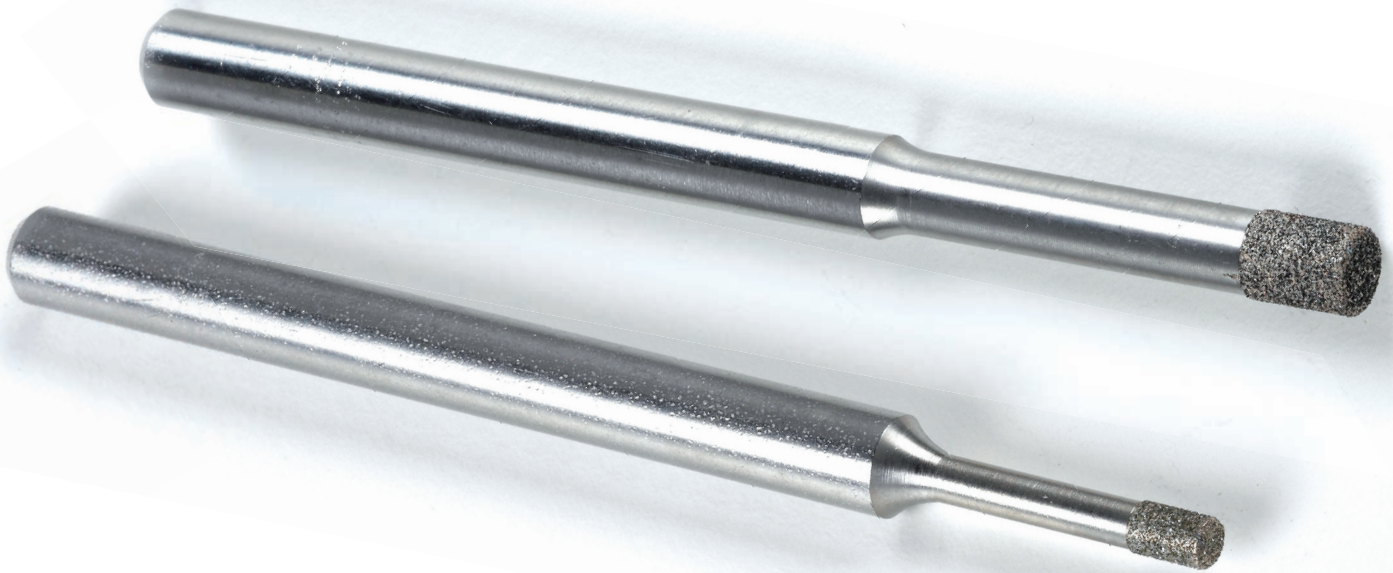
Il gambo in metallo duro possiede un modulo di elasticità quasi triplo rispetto al gambo in acciaio. Per questo le molette con gambo in metallo duro nella rettifica interna permettono di ottenere asportazione maggiore, superfici migliori e maggiore durata dell'utensile.

1A1W-HM

CYLINDRICAL WHEELS FOR INTERNAL GRINDING WITH HARD METAL SHANK

The carbide shank has an elasticity modulus almost three times the steel shank. For this the grinding wheels with the shank in carbide allow to obtain more removal, better surface and greater durability of the tool.

FORMA A - A SHAPE



gambo Ø 3 mm - Ø 3 mm shank

DIMENSIONI / DIMENSIONS*				DIAMANTE / DIAMOND		CBN (Borazon®)	
Ø D	H	S	L	#76; #126; #151; #181	STOCK	#76; #126; #151; #181	STOCK
mm							
0,4	2	3	40	1A1WHM-ED	*	1A1WHM-EB	*
0,5	2	3	40		*		*
0,6	3	5	40		*		*
0,7	3	6	40		*		*
0,8	3	6	40		*		*
0,9	3	7	40		*		*
1	3	7	40		*		*
1,1	3	8	40		*		*
1,2	3	8	40		*		*
1,5	3	15	40		*		*
2	5	15	40		*		*
2,5	5	16	40		*		*
3	5	17	40		*		*

*N.B. Alcune dimensioni possono variare leggermente senza preavviso / Some dimensions can be varied without notice.

FORMA B - B SHAPE



COME ORDINARE / HOW TO ORDER

ORDINE MINIMO: 5 pezzi per tipo
MINIMUM ORDER: 5 pieces for type

MOLA / WHEEL

Specificare: Specify:

- Forma (A o B) - Shape (A or B)
- Diametro gambo (3 o 6 mm) - Shank diameter (3 or 6 mm)
- Diametro testa (D) - Head diameter (D)
- Lunghezza gambo (L) - Shank length (L)

GRANA / GRIT SIZE

Precisare la grana desiderata (76, 126, 151, 181)
 Specify the required grit size (76, 126, 151, 181)

ABRASIVO / ABRASIVE

Precisare se: Specify if:
 Diamante (ED) o CBN (EB) Diamond (ED) or CBN (EB)

gambo ø 3 mm - Ø 3 mm shank

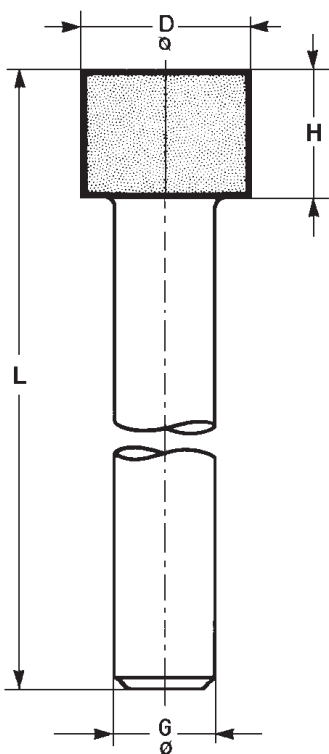
DIMENSIONI / DIMENSIONS*				DIAMANTE / DIAMOND		CBN (Borazon®)	
Ø D	H	S	L	#76; #126; #151; #181	STOCK	#76; #126; #151; #181	STOCK
mm							
5	5	--	75	1A1WHM-ED	*	1A1WHM-EB	*
5	5	--	100		*		*
6	5	--	80		*		*
6	5	--	100		*		*
8	8	--	80		*		*
8	8	--	100		*		*

*N.B. Alcune dimensioni possono variare leggermente senza preavviso / Some dimensions can be varied without notice.

gambo ø 6 mm - Ø 6 mm shank

DIMENSIONI / DIMENSIONS*				DIAMANTE / DIAMOND		CBN (Borazon®)	
Ø D	H	S	L	#76; #126; #151; #181	STOCK	#76; #126; #151; #181	STOCK
mm							
7	8	--	75	1A1WHM-ED	*	1A1WHM-EB	*
7	8	--	110		*		*
8	8	--	75		*		*
8	8	--	110		*		*
10	10	--	110		*		*
12	10	--	110		*		*
14	10	--	110		*		*
15	10	--	110		*		*
16	10	--	110		*		*
18	10	--	110		*		*
20	10	--	110		*		*

*N.B. Alcune dimensioni possono variare leggermente senza preavviso / Some dimensions can be varied without notice.



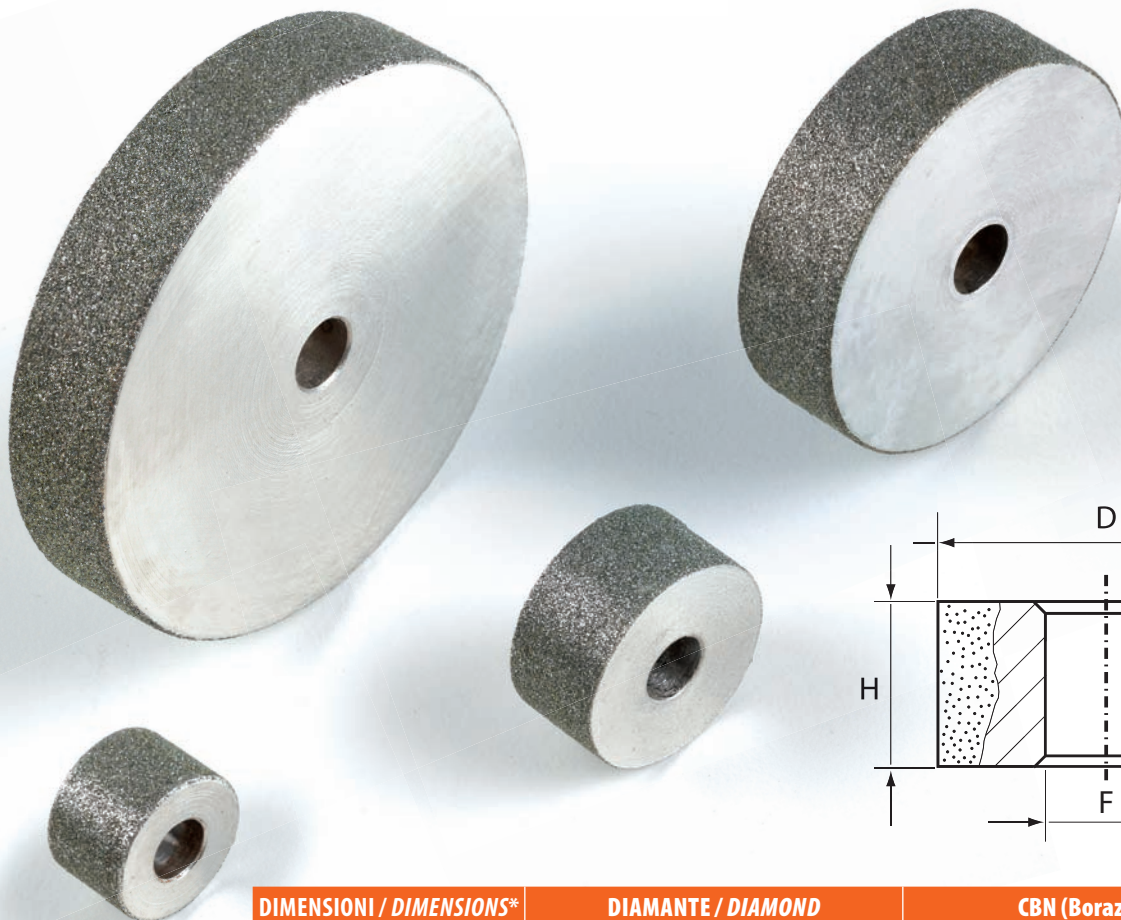
MOLETTE CILINDRICHE PER RETTIFICA INTERNI CON FORO

Molette elettrodepositate in Diamante e CBN. Foro standard 6 mm. Fori diversi sono eseguibili a richiesta.

1A1

CYLINDRICAL WHEELS FOR INTERNAL GRINDING WITH HOLE

Electroplated Diamond & CBN. Standard hole 6 mm. Different holes available on request.



DIMENSIONI / DIMENSIONS*			DIAMANTE / DIAMOND			CBN (Borazon®)		
Ø F	Ø D	H	D126	D76	STOCK	B126	B76	STOCK
mm								
6	10	10	1A1-ED184	1A1-ED185	★	1A1-EB184	1A1-EB185	★
	12	10	1A1-ED188	1A1-ED189	★	1A1-EB188	1A1-EB189	★
	14	10	1A1-ED192	1A1-ED193	★	1A1-EB192	1A1-EB193	★
	15	10	1A1-ED194	1A1-ED195	★	1A1-EB194	1A1-EB195	★
	16	10	1A1-ED196	1A1-ED197	★	1A1-EB196	1A1-EB197	★
	18	10	1A1-ED200	1A1-ED201	★	1A1-EB200	1A1-EB201	★
	20	10	1A1-ED204	1A1-ED205	★	1A1-EB204	1A1-EB205	★
	22	10	1A1-ED208	1A1-ED209	★	1A1-EB208	1A1-EB209	★
	25	10	1A1-ED214	1A1-ED215	★	1A1-EB214	1A1-EB215	★
	30	10	1A1-ED224	1A1-ED225	★	1A1-ED224	1A1-EB225	★
	30	15	1A1-ED224H	1A1-ED225H	★	1A1-EB224H	1A1-EB225H	★
	35	10	1A1-ED234	1A1-ED235	★	1A1-EB234	1A1-EB235	★
	40	10	1A1-ED244	1A1-ED245	★	1A1-EB244	1A1-EB245	★
	40	15	1A1-ED244H	1A1-ED245H	★	1A1-EB244H	1A1-EB245H	★
	45	10	1A1-ED254	1A1-ED255	★	1A1-EB254	1A1-EB255	★
	50	10	1A1-ED264	1A1-ED265	★	1A1-EB264	1A1-EB265	★
	50	15	1A1-ED264H	1A1-ED265H	★	1A1-EB264H	1A1-EB265H	★

N.B. Altre misure e/o grane su richiesta / Others measures and/or grits on request

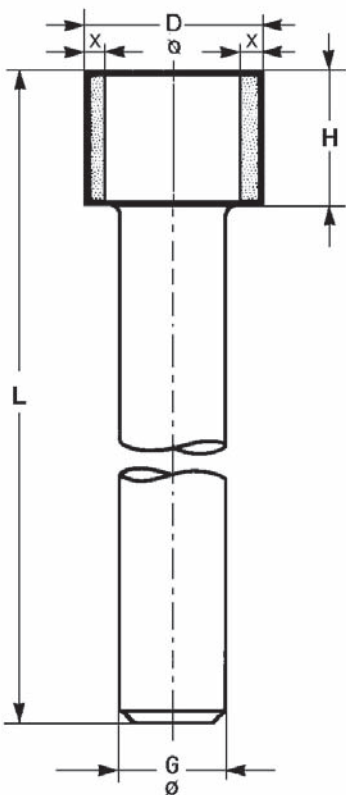
MOLETTE CILINDRICHE PER RETTIFICA E LAPPATURA INTERNI a legante resinoide

Molette dotate di buona taglienza, permettono di ottenere superfici di alta qualità. Disponibili anche nella tipologia per microlappatura. Utilizzabili a secco o ad umido (specificare all'ordine).

1A1W-RES

CYLINDRICAL WHEELS FOR INTERNAL GRINDING OR LAPPING - resin bond

Wheels with good sharp, to obtain surfaces of high quality. Also available in the type for microlapping. For dry or wet use (to specify at the order).



gambo ø 6 mm - Ø 6 mm shank

DIMENSIONI / DIMENSIONS*				DIAMANTE / DIAMOND			CBN (Borazon®)		
Ø D	H	X	L	STANDARD C100	GRANA/GRIT	STOCK	STANDARD C100	GRANA/GRIT	STOCK
mm									
5	10	2	60	1A1W-RES 310	D 107	☀	1A1W-RES 310	B 107	☀
6				1A1W-RES 320		☀	1A1W-RES 320		☀
7				1A1W-RES 330		☀	1A1W-RES 330		☀
8				1A1W-RES 340	D 126	☀	1A1W-RES 340	B 126	☀
9				1A1W-RES 350		☀	1A1W-RES 350		☀
10				1A1W-RES 360		☀	1A1W-RES 360		☀
11				1A1W-RES 365		☀	1A1W-RES 365		☀
12				1A1W-RES 370		☀	1A1W-RES 370		☀

Altre misure e/o grane o concentrazioni su richiesta: GRANA D30 - D15 per microlappatura: +15% / Others measures and/or grits or concentrations on request: D30 - D15 GRIT for microlapping: + 15%

N.B. Alcune dimensioni possono variare leggermente senza preavviso / Some dimensions can be varied without notice.